

HITACHI

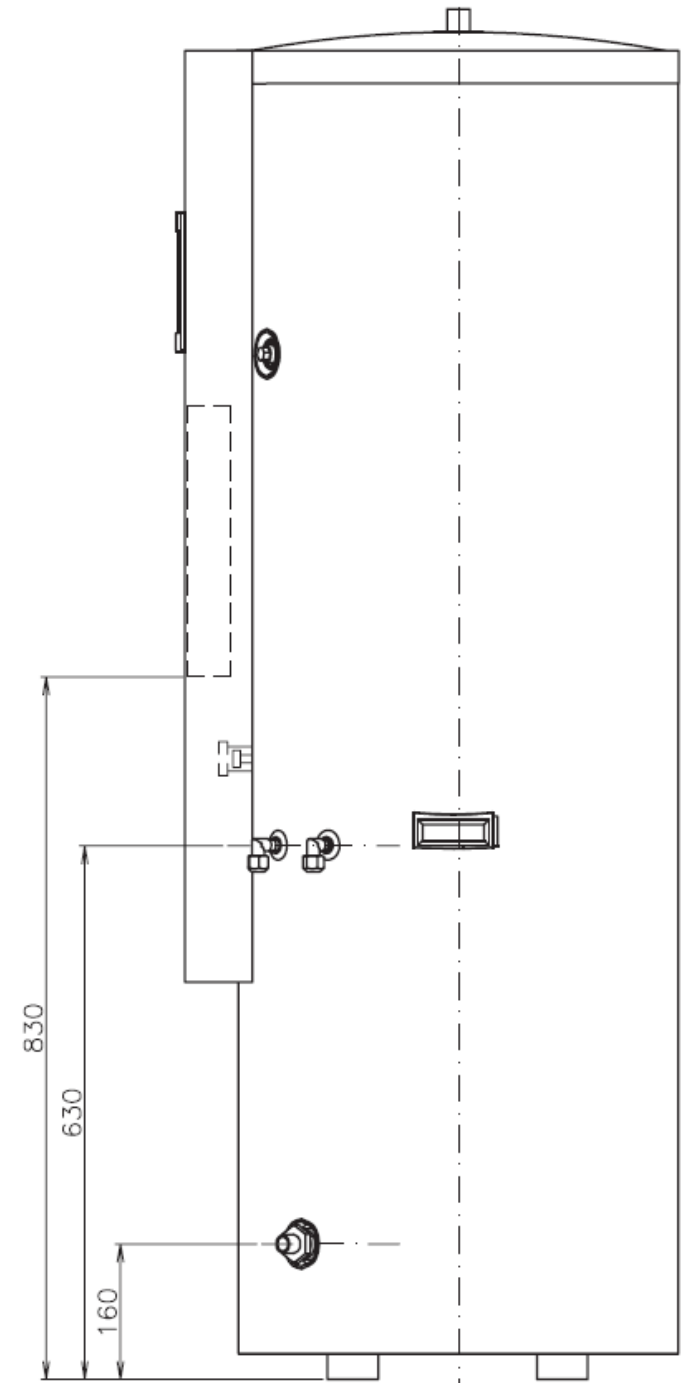
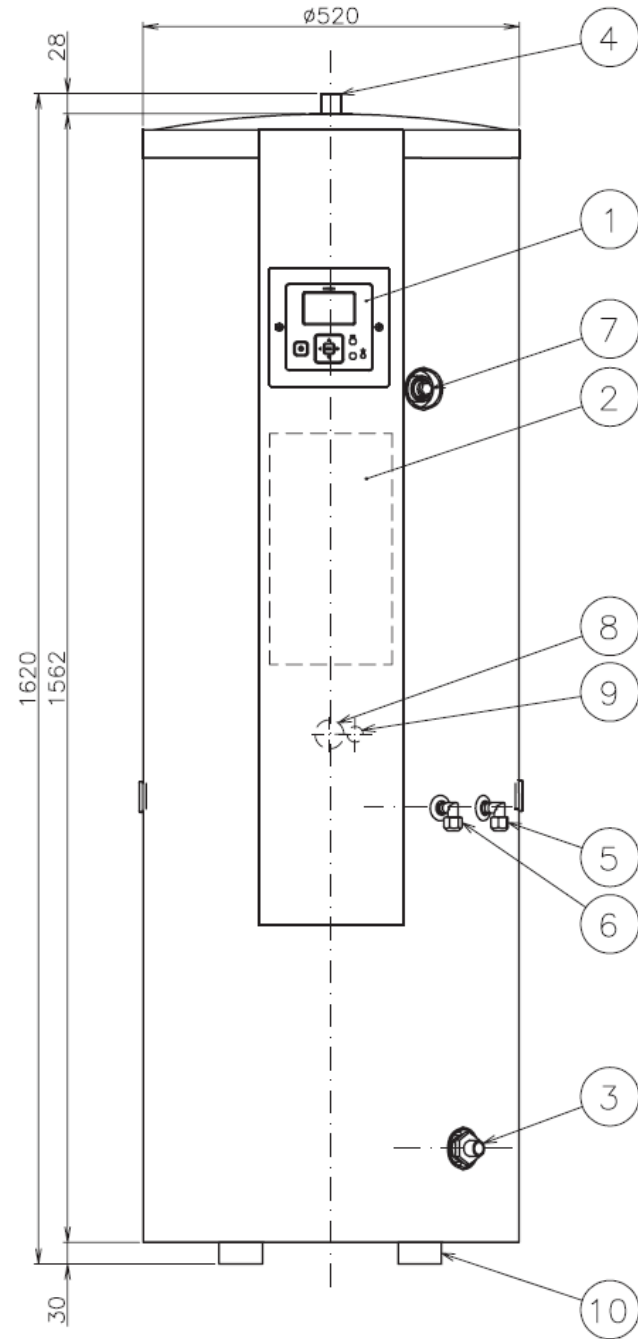
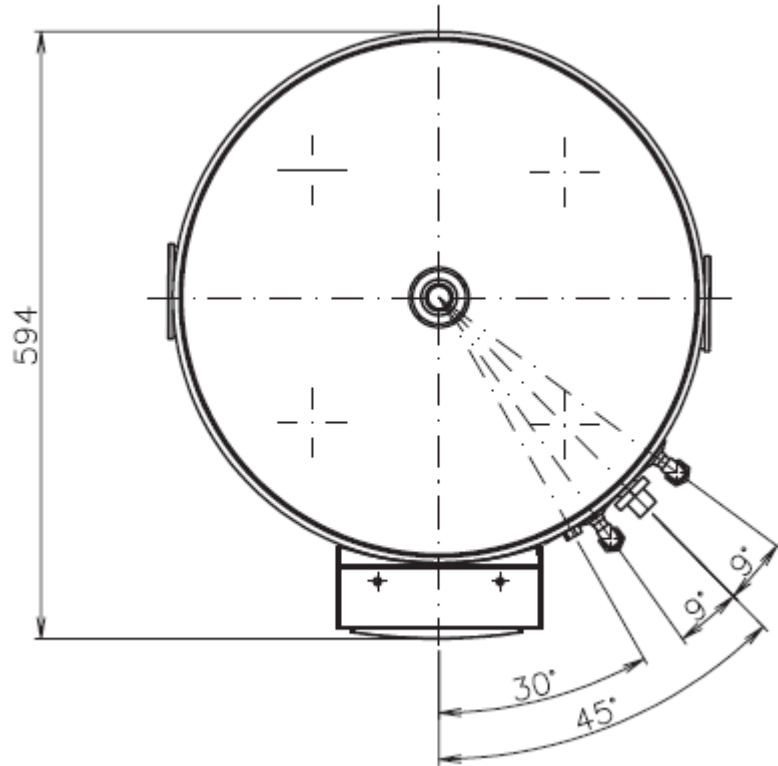
YUTAMPO II 190/270 L BALLON ECS THERMODYNAMIQUE

Nouveau modèle 2017
Capacité 190L ou 270L
Alimentation monophasé
Compresseur Inverter DC
Nouveau contrôleur



HITACHI

YUTAMPO TAW-190NHB



HITACHI

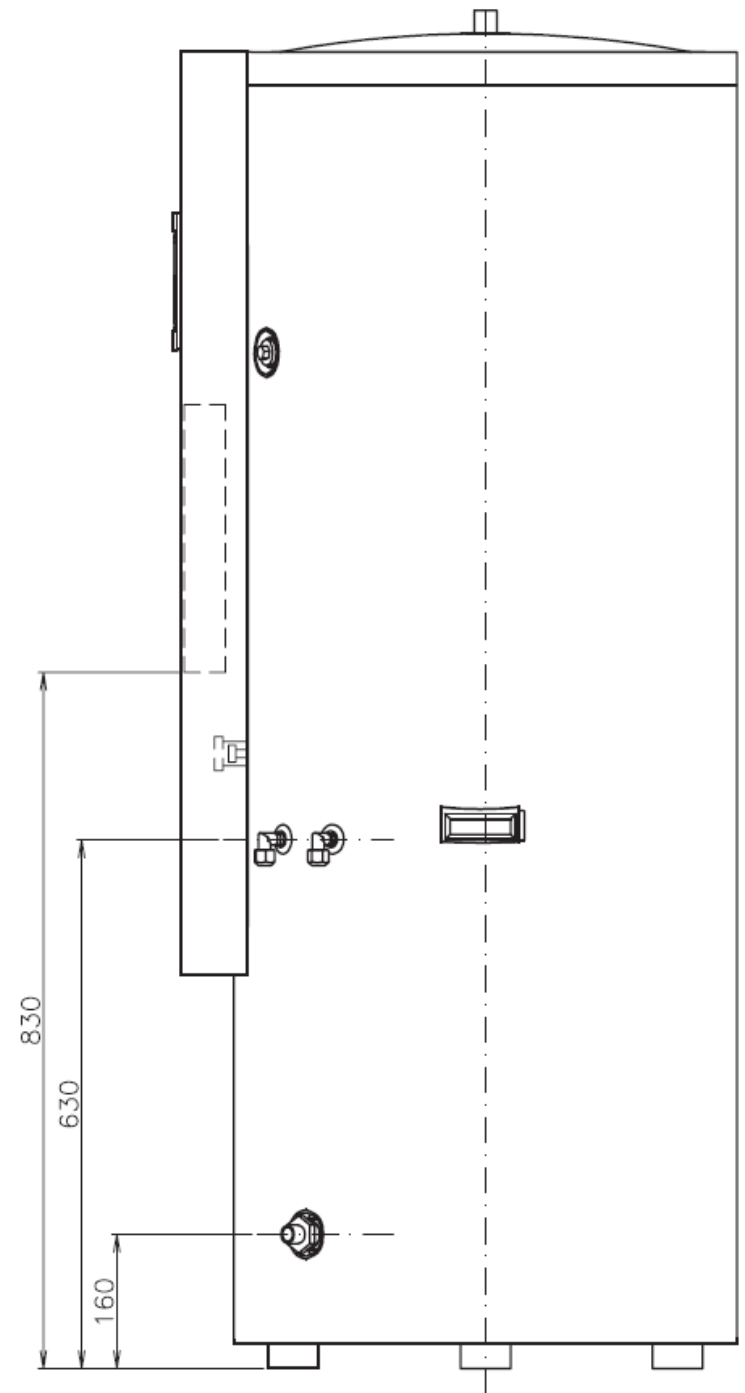
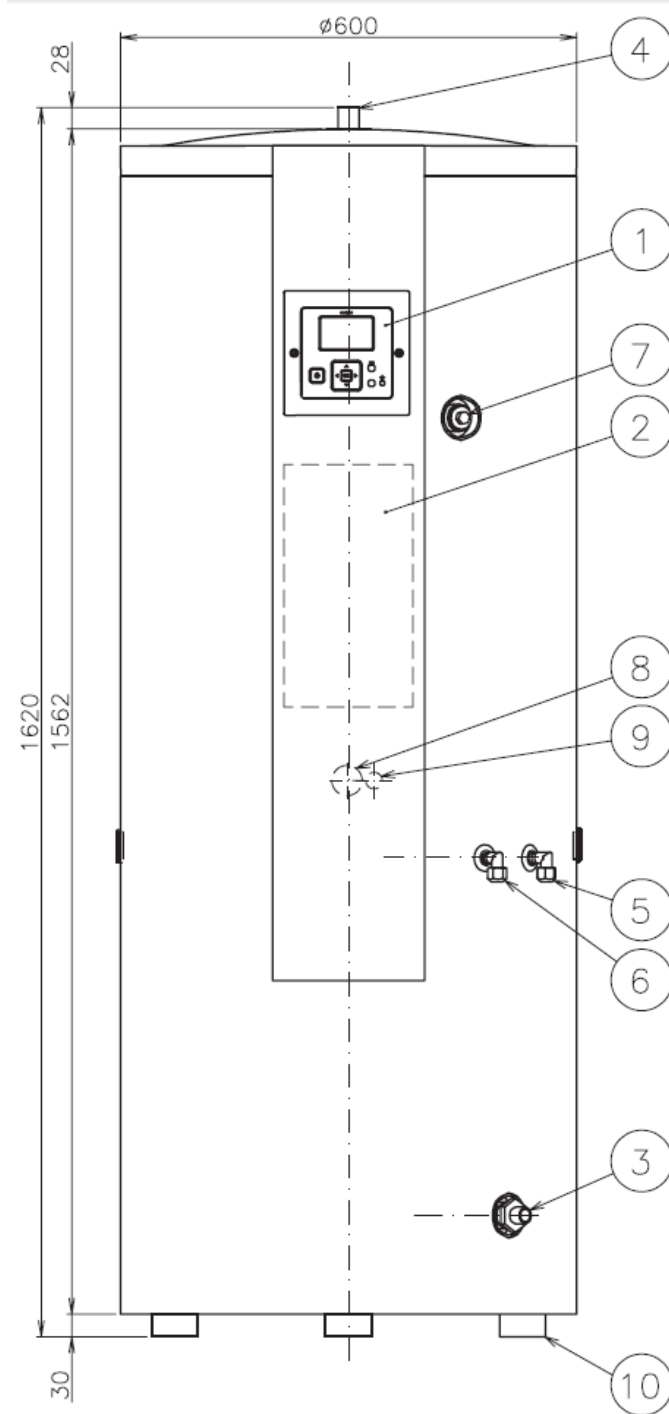
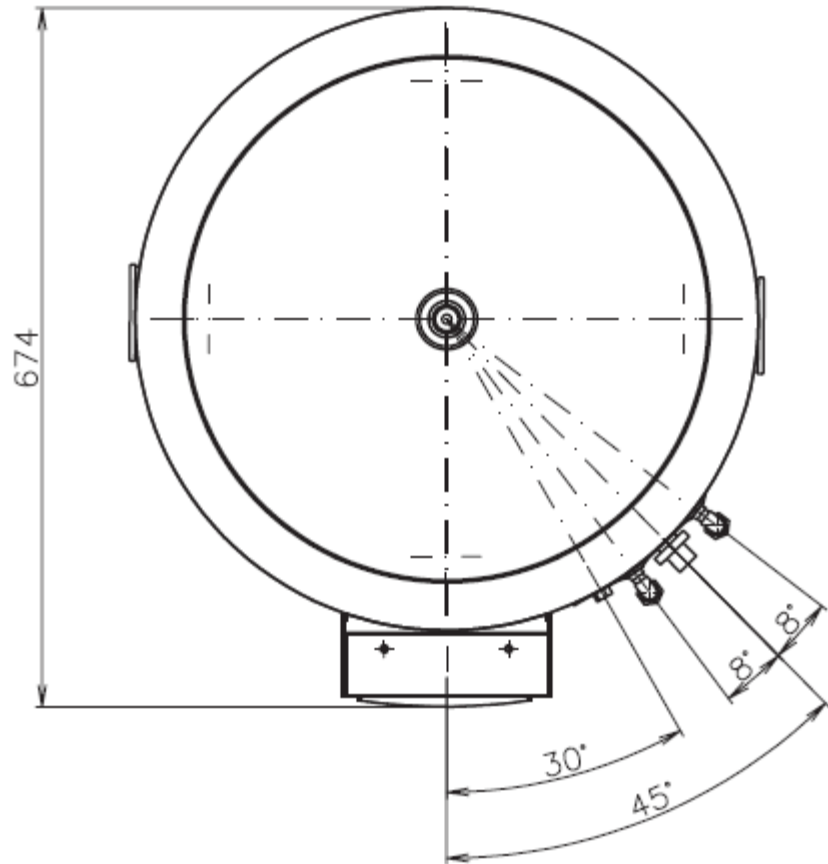
YUTAMPO TAW-190NHB

No	Name	Remarks
1	LCD controller	
2	Electrical box	
3	Cold water inlet	G 3/4" (blue)
4	Hot water outlet	G 3/4" (red)
5	Liquid refrigerant connection	1/4" Ø6.35 mm (black)
6	Gas refrigerant connection	3/8" Ø9.52 mm (black)
7	Mg anode	(black)
8	Heater	1.5 kW / 220 V
9	Thermistor	
10	Mounting foot	×4



HITACHI

YUTAMPO TAW-270NHB



HITACHI

YUTAMPO TAW-270NHB

No	Name	Remarks
1	LCD controller	
2	Electrical box	
3	Cold water inlet	G 3/4" (blue)
4	Hot water outlet	G 3/4" (red)
5	Liquid refrigerant connection	1/4" Ø6.35mm (black)
6	Gas refrigerant connection	3/8" Ø9.52mm (black)
7	Mg Anode	(Black)
8	Heater	1.5 kW / 220 V
9	Thermistor	
10	Mounting foot	×4



HITACHI

YUTAMPO TAW-270NHB



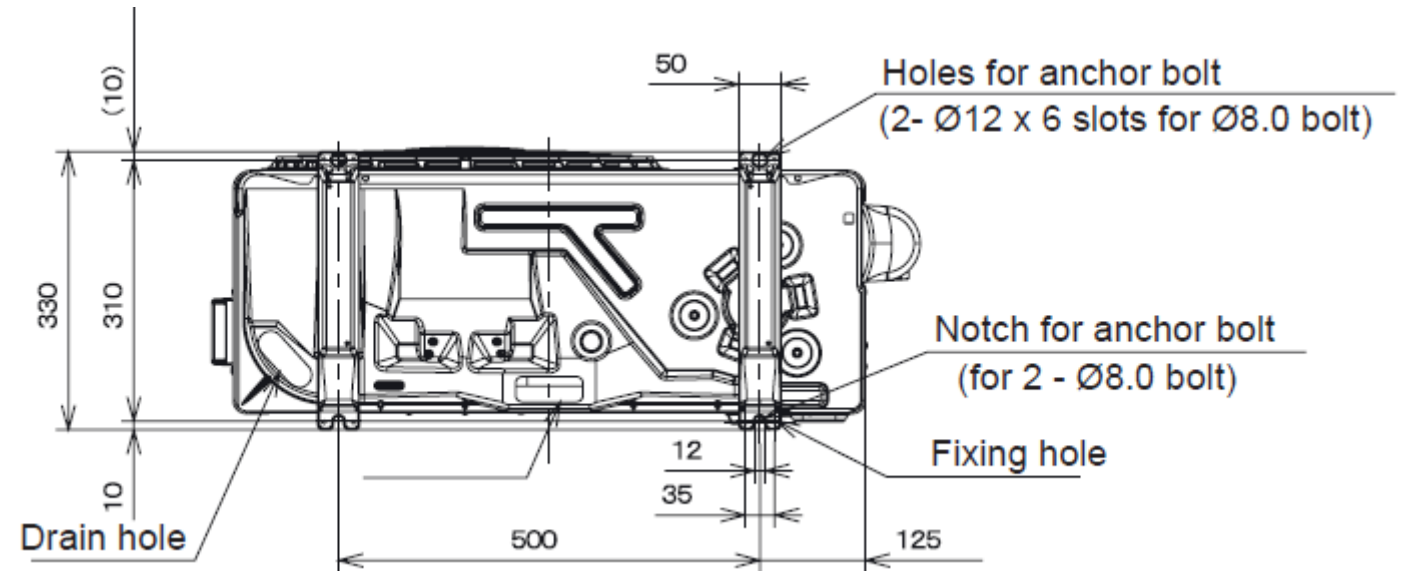
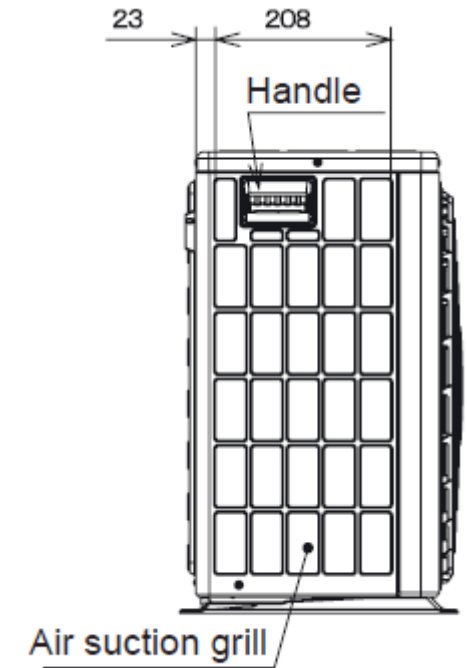
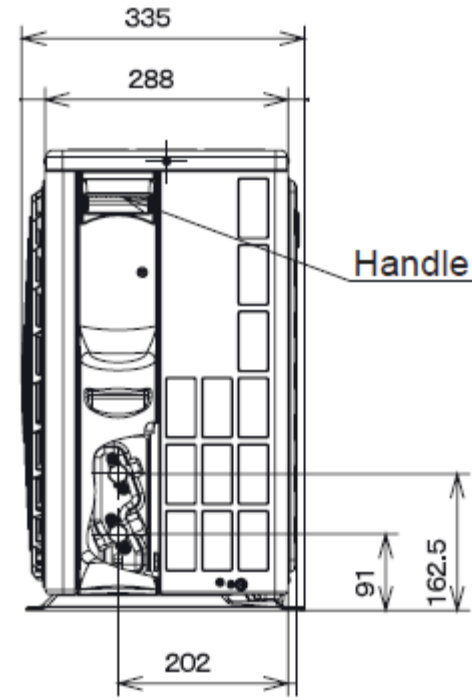
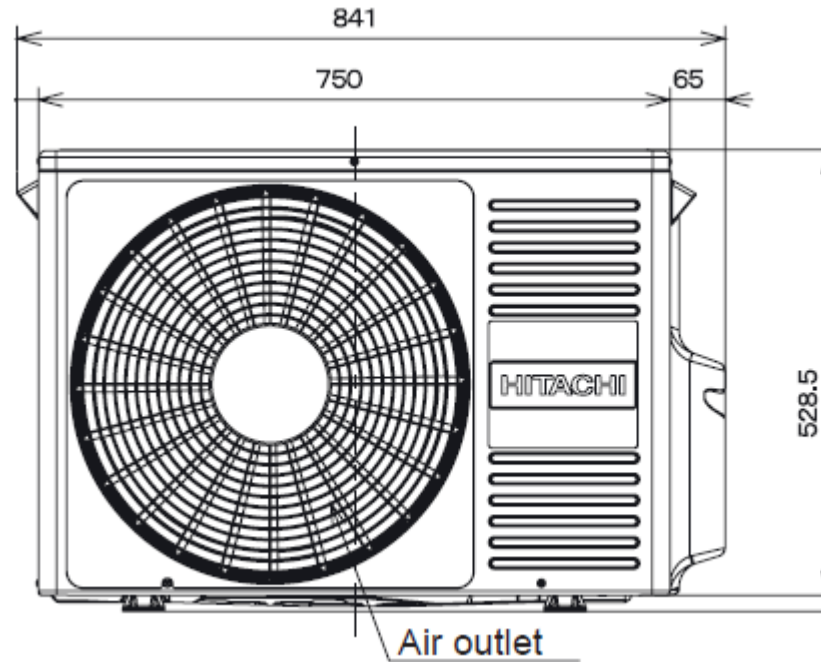
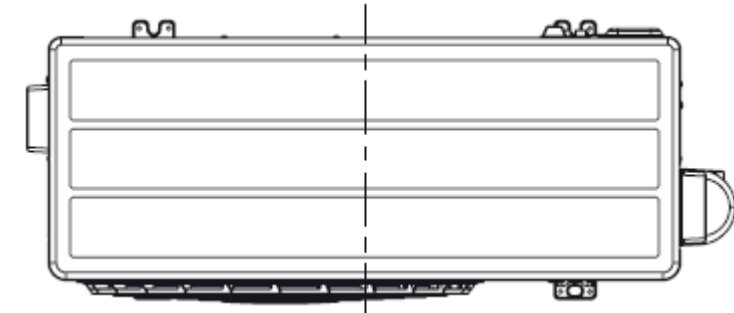
YUTAMPO TAW-190NHB



Model		Units	TAW-190NHB	TAW-270NHB
General data				
Power supply			1~ 230V 50Hz	
Nominal volume of the tank		L	190	270
Declared load profile			L	XL
Setting temperature for the performance measurements below *1	Tset	°C	53	53
Reference hot water temperature *1	θwh	°C	(53.5)	(53.8)
COPT (Based on EN-16147, Setting 53 °C, Outdoor temperature: 7 °C) *1	COPdhw	-	(3,1)	(3,2)
Maximal volume of usable hot water *1	Vmax	L	(256)	(360)
Standby power input *1 *2	Pes	W	(24.9)	(26.0)
Heat-up time *1	Time	h:min	(3:15)	(4:50)
	Energy input (Weh)	kWh	(4.77)	(5.55)
Thermal charge of the electrical heater		W/cm ²	7.37	7.37
Temperature setting range		°C	30~75 *4	30~75 *4
Maximum water temperature (with electric heater)		°C	75	75
Power standby unit		W	2.5	2.5
Indoor sound power level (Lwa) *3		dB(A)	-	-
Outdoor sound power level (Lwa) *3		dB(A)	63	63
Rated pressure of the water tank		MPa	0.7	0.7
Power cable of the electrical heater		Quantity	2 + Earth	
Section of the power cable of the electrical heater (*)		mm ²	1.5	
Recommended fuse (or CB) size for Electrical Heater		A	10	10
Connection wires between the tank and the outdoor unit		Quantity	3	
Section of the connection wires between the tank and the outdoor unit		mm ²	0.75	
Width (packing)		mm	520 (590)	600 (670)
Height (packing)		mm	1620 (1770)	1620 (1770)
Depth (packing)		mm	594 (610)	674 (740)
Net weight (Gross weight)		kg	49 (59)	54 (64)
Flare nut size (Small / Large)		mm	∅ 6.35 / ∅ 9.52	∅ 6.35 / ∅ 9.52
Minimum piping length		m	5	
Maximum piping length / Height difference		m	20/10	

HITACHI

YUTAMPO RAW-35NHB



HITACHI

YUTAMPO RAW-35NHB



		Units	RAW-35NHB
General data			
Power supply			1~ 230V 50Hz
Noise level (sound power) *1		dB(A)	63
IP protection		IP	24
Air flow (Heating)		m³/h	1620
Colour			Beige (5Y7/2)
Outdoor temperature limit		°C	-15 ~ +37
Electrical data			
Cable section (Power) (*)		mm²	1.50 x 2 + Earth
Cable section (Interconnection)		mm²	0.75 x 3
Recommended fuse (or CB) size		A	10
Starting current		A	5.17
Running current		A	1.09-7.39
Dimensions and weight data			
Width (packing)		mm	841 (871)
Height (packing)		mm	548 (591)
Depth (packing)		mm	335 (377)
Weight (Gross)		kg	33 (35.5)
Refrigerant data			
Refrigerant			R410A
Amount of refrigerant		kg	1.2
Flare nut size (Small / Large)		"	1/4" / 3/8"
Minimum piping length		m	5
Maximum piping length / Height difference		m	20/10
Other information data			
Condenser fan			Propeller fan
Compressor	Type		Rotary
	Oil charge	ml	320 ±20
	Oil type		a68HES - H or equivalent
	Coil resistance	Ω	2.167 at 20 °C
	Quantity		1

HITACHI

CONTROLEUR PCARFTE

Contrôleur intégré LCD

Nouveau design

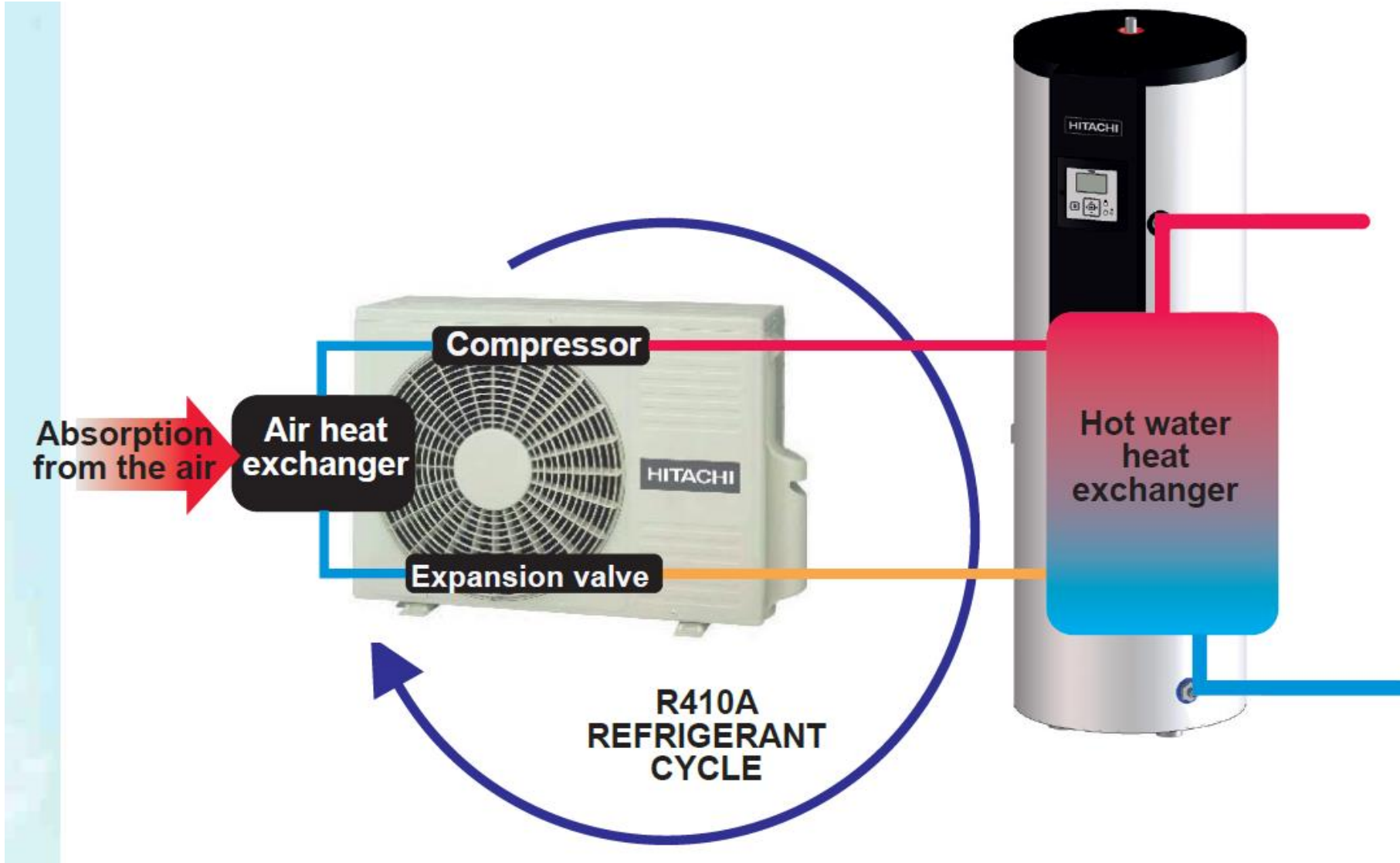
Fonctionnalités conviviales

Indication instantané sur plusieurs paramètres :

- Température (ECS et ambiant)
- Fréquence du compresseur
- Alarmes + historique
- Modes

Jusqu'à 5 programmations par jour





SCHEMA DES COMPOSANTS

